


Revision History

Revision	Date	Initiator	Reason for Change
0	2009/12/10	Anny Xie	New Issue
1	2012/03/19	Irence Ling	Modify the "Shelf Life" : "Not less than 90% of the service capacity within first year storage at 20±2°C 55±20%RH"

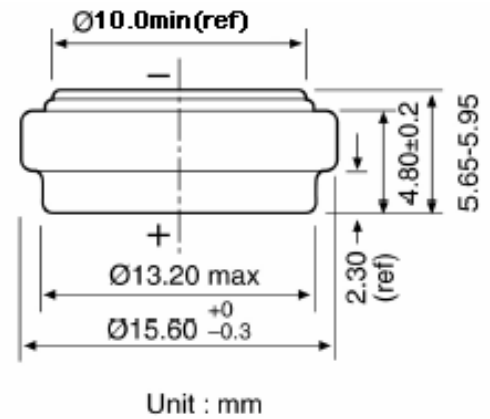
Prepared By	Approved By
Irence Ling	Edward Chan 
Date: 2012/03/19	Date: 2012/03/19

GPI International Limited

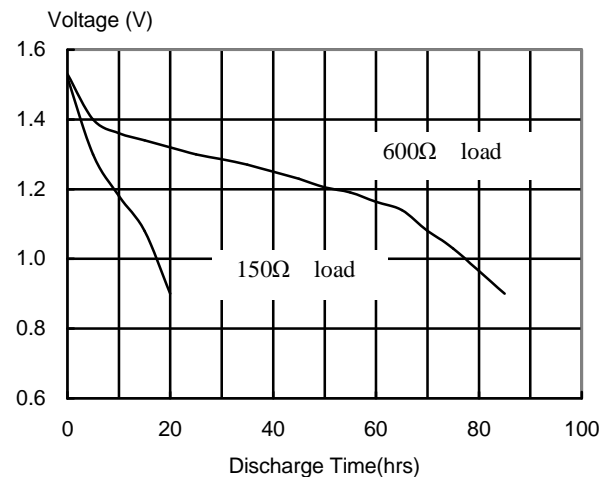
Gold Peak Building, 8/F, 30 Kwai Wing Road,
Kwai Chung, New Territories, Hong Kong.
Tel: (852) 2484 3333 Fax: (852) 24805912
Email: gpii@goldpeak.com
Website: <http://www.gpbatteries.com.hk>

Description	: Alkaline High Voltage Battery
Nominal Voltage	: 1.5Volts
Nominal Dimensions	: Ø15.60mmx5.95mm
Applications	: Electronic toys, camera,...etc.
Average Weight	: 2.9g
Date Code	: Unless otherwise specified, each batteries will carry a numeric year code and analogue month code
Shelf Life	: Not less than 90% of the service capacity within first year storage at 20 ± 2 °C 55 ± 20 %RH
Close Circuit Voltage	: 1.35 Volts (min.)(load resistor 300Ω at 20 ± 2 °C for 0.1 to 2 seconds)
Nominal Service Life	: 18hrs (at 150Ω load) (to 0.9V at 20 ± 2 °C)
Average Service Capacity	: 190mAh(at 600Ω load) (to 0.9V at 20 ± 2 °C)

Model No.: **GPPX625AF**



Typical Discharge characteristics at 20 ± 2 °C



The information (subject to change without prior notice) contained in this document is for reference only and should not be used as a basis for product guarantee or warranty. For applications other than those described here, please consult your nearest GP Sales and Marketing Office or Distributors.